



ST15 Metal Pump

FLOW RATE TO 232 GPM (878.2 LPM)

MAXIMUM OPERATING PRESSURE = 125 PSI (8.6 BAR)

Air Operated Double Diaphragm Pumps



SPECIFICATIONS

WETTED HOUSINGS (Water Chambers and Manifolds)

MATERIAL	SHIP WT.
Aluminum	116 lbs. (53.4 kg.)
Cast Iron	200 lbs. (92 kg.)

NON-WETTED HOUSINGS

DESCRIPTION	MATERIAL
Center Block	Polypropylene
Air Valve	Brass

MAXIMUM SUCTION LIFT CAPABILITY

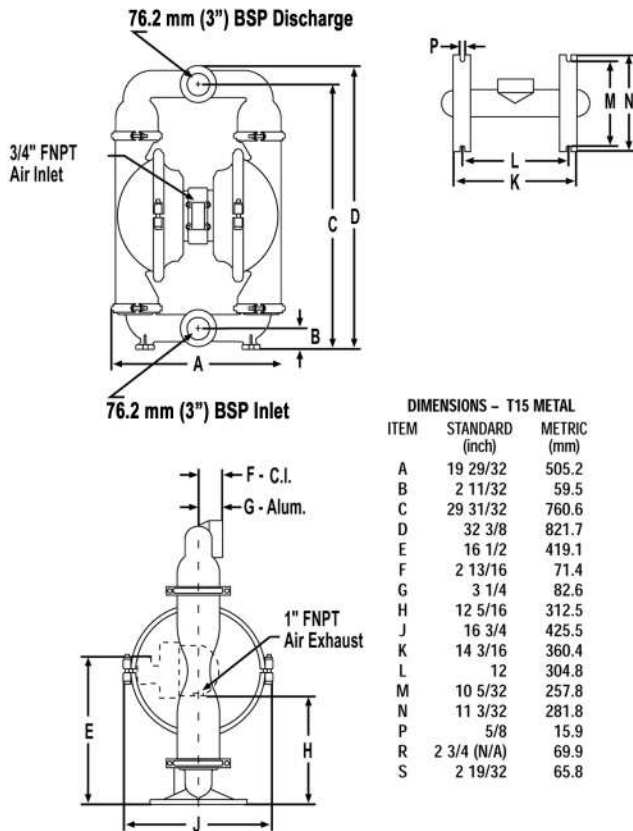
DRY LIFT	WET LIFT
18' (5.5 m)	31' (9.45 m)

MAXIMUM DIAMETER SOLIDS

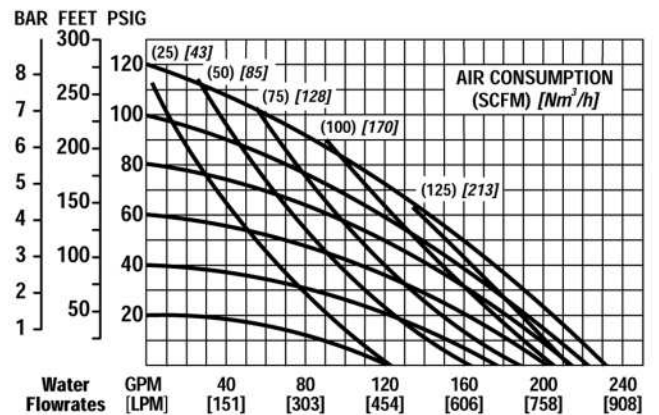
3 / 8" (5.5 mm) Diameter

ELASTOMER OPTIONS

MATERIAL	TEMPERATURE LIMITS
Neoprene	0 (-17.8) to +200 (93.3) F° (C°)
Buna-N®	+10 (-12.2) to +180 (82.2) F° (C°)



PERFORMANCE CURVE



Authorized Distributor

