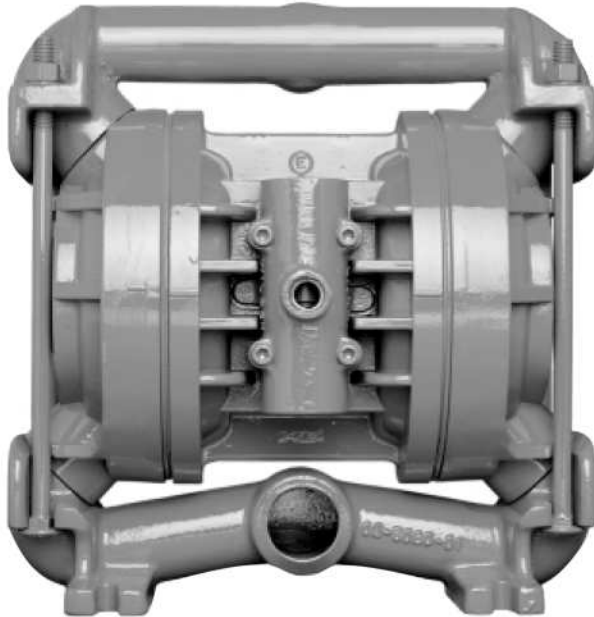


STANFLO

ST2 Metal Pump

Air Operated Double Diaphragm Pumps

FLOW RATE TO 35 GPM (132.5 LPM)
 MAXIMUM OPERATING PRESSURE = 125 PSI (8.6 BAR)



SPECIFICATIONS

WETTED HOUSINGS (Water Chambers and Manifolds)

MATERIAL SHIP WT.
 Aluminum 26 lbs. (12 kg.)

NON-WETTED HOUSINGS

DESCRIPTION MATERIAL
 Center Section Aluminum
 Air Valve Brass

MAXIMUM SUCTION LIFT CAPABILITY

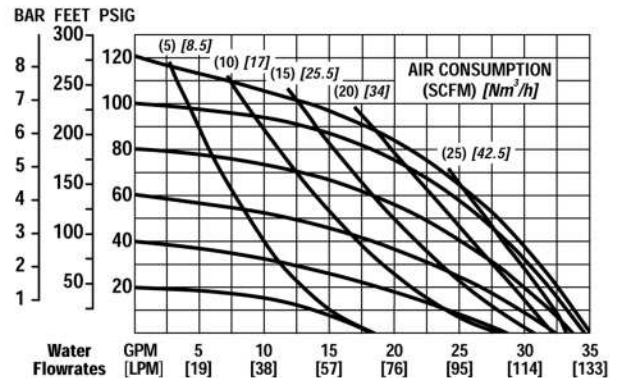
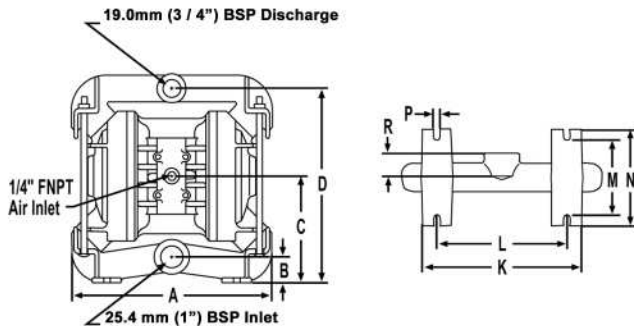
DRY LIFT WET LIFT
 17' (5.2 m) 31' (9.45 m)

MAXIMUM DIAMETER SOLIDS

1/8" (3.17 mm) Diameter

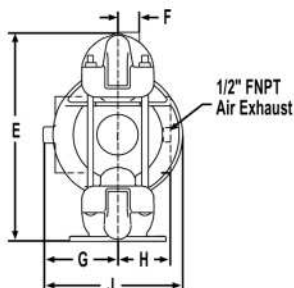
ELASTOMER OPTIONS

MATERIAL TEMPERATURE LIMITS
 Neoprene 0 (-17.8) to +200 (93.3) F° (C°)
 Buna-N® +10 (-12.2) to +180 (82.2) F° (C°)



DIMENSIONS - T2 METAL

ITEM	STANDARD (incht)	METRIC (mm)
A	10 17/32	267.5
B	1 7/16	36.5
C	5 7/16	138.0
D	10	254.0
E	11	279.4
F	1 1/8	28.6
G	3 3/4	95.3
H	3 1/32	77.0
J	7 1/4	184.2
K	8 1/4	209.6
L	6 3/4	171.5
M	4 3/16	106.4
N	5	127.0
P	5/16	7.9
R	1 1/4	31.8



Authorized Distributor

