



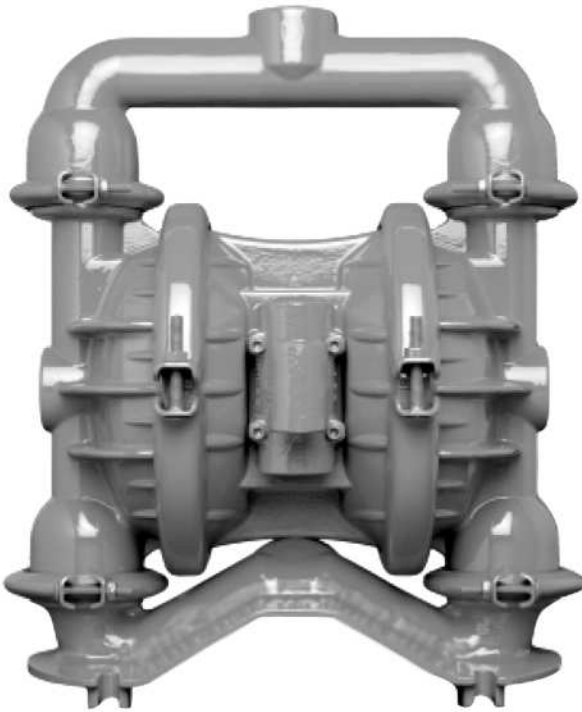
# ST4 Metal Pump

FLOW RATE TO 76 GPM (287.7 LPM)

MAXIMUM OPERATING PRESSURE = 125 PSI (8.6 BAR)

Air Operated Double Diaphragm Pumps

## SPECIFICATIONS



### WETTED HOUSINGS (Water Chambers and Manifolds)

MATERIAL	SHIP WT.
Aluminum	38 lbs. (17.5 kg.)
Cast Iron	57 lbs. (26.2 kg.)

### NON-WETTED HOUSINGS

DESCRIPTION	MATERIAL
Air Chamber	Mild Steel
Center Block	Aluminium
Air Valve	Brass

### MAXIMUM SUCTION LIFT CAPABILITY

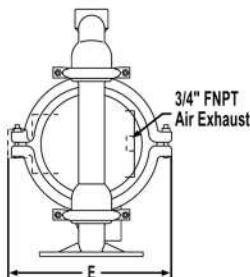
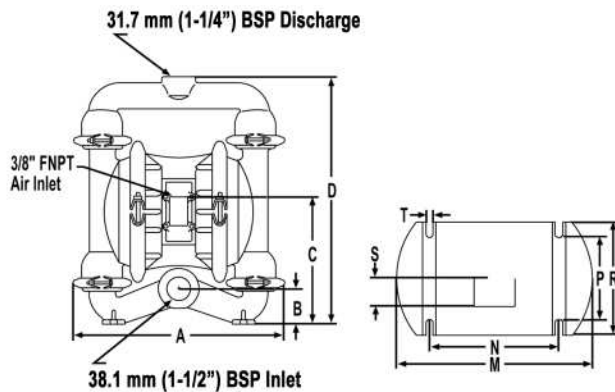
DRY LIFT	WET LIFT
18' (5.49 m)	28' (8.53 m)

### MAXIMUM DIAMETER SOLIDS

3 / 16" (4.8 mm) Diameter

### ELASTOMER OPTIONS

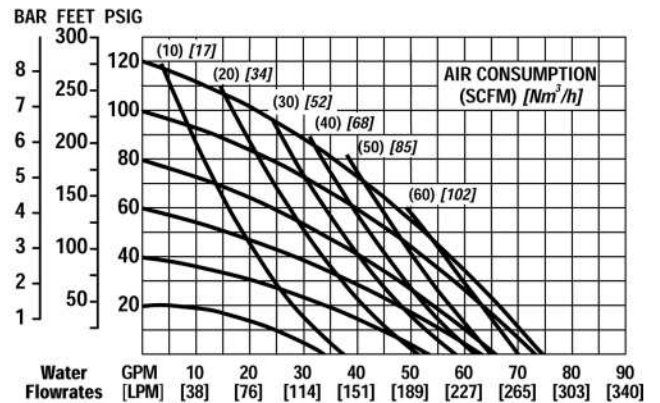
MATERIAL	TEMPERATURE LIMITS
Neoprene	0 (-17.8) to +200 (93.3) F° (C°)
Buna-N®	+10 (-12.2) to +180 (82.2) F° (C°)



DIMENSIONS - T4 METAL

ITEM	STANDARD (inch)	METRIC (mm)
A	14 17/32	369.1
B	2 15/32	62.7
C	8 27/32	224.6
D	16 7/8	428.6
E	11 5/16	287.4
F	10 5/16	261.9
G	8 3/16	223.8
H	6	152.4
J	7	177.8
K	2	50.8
L	7/16	11.1
M	13 7/32	335.7
N	8 3/4	222.3
P	5 15/16	150.8
R	7 21/32	194.5
S	1 29/32	48.4
T	1/2	12.7

## PERFORMANCE CURVE



Authorized Distributor

